

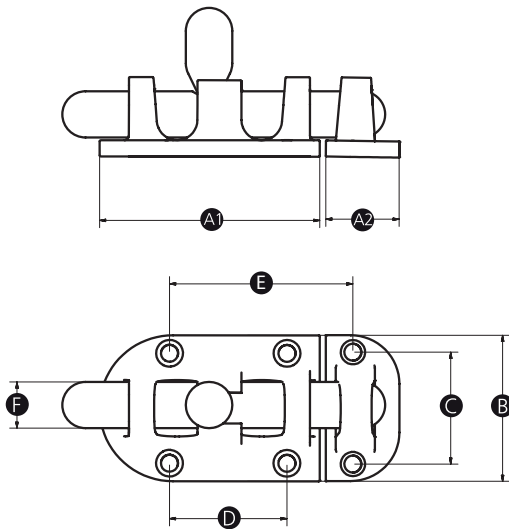
SS

Material

Stainless steel 304

Finish

Highly polished



Part No.	A1	A2	B	C	D	E	Hole size
16653Q	45	14.5	30	22.5	24	37	3.4