

Material

Glass reinforced nylon

Rod material

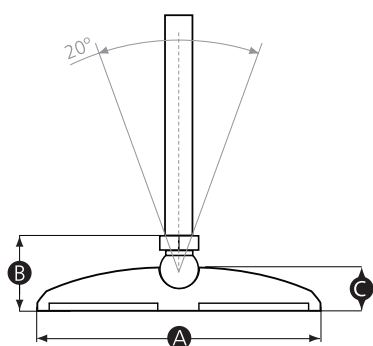
Zinc plated steel as standard. Stainless steel on request (MOQs apply).

Standard colour

Black. Other RAL colours available on request (MOQs apply).

Options

Many more base and rod size combinations available on request. Add a **Model 01 ASP** Anti Slip Plate to provide extra grip and anti-vibration.



Part No.	A	B	C	Thread size	Thread length (mm)	Max load (kg)
12769X	40	29	18	M8	25	350
12379V	40	29	18	M8	40	350
12746Q	50	29	18	M10	45	470
12384X	50	29	18	M10	70	470
12747X	50	29	18	M10	90	470
12382U	50	29	18	M8	40	350
12745U	50	29	18	M8	60	350
12383Q	50	29	18	M8	80	350
12748T	60	29	18	M10	45	470
12749P	60	29	18	M10	70	470
12750W	60	29	18	M10	125	470
12751S	60	29	18	M12	66	750
12752Z	60	29	18	M12	80	750
12389Z	60	29	18	M12	100	750

Continued overleaf »

« Continued from facing page

Part No.	A	B	C	Thread size	Thread length (mm)	Max load (kg)
12753V	60	29	18	M12	125	750
12390V	60	29	18	M12	150	750
12754R	80	29	18	M12	66	750
12394Q	80	29	18	M12	100	750
12756U	80	29	18	M16	66	900
12396T	80	29	18	M16	100	900
12397P	80	29	18	M16	150	900
12398W	80	31	18	M20	100	900
10314U	80	31	18	M20	150	900
12757Q	100	29	18	M16	66	900
12760P	100	29	18	M16	150	900
12765R	120	31	18	M20	150	900