

Description

Push to close, pull to open latch with spring loaded over centre. action.

Material

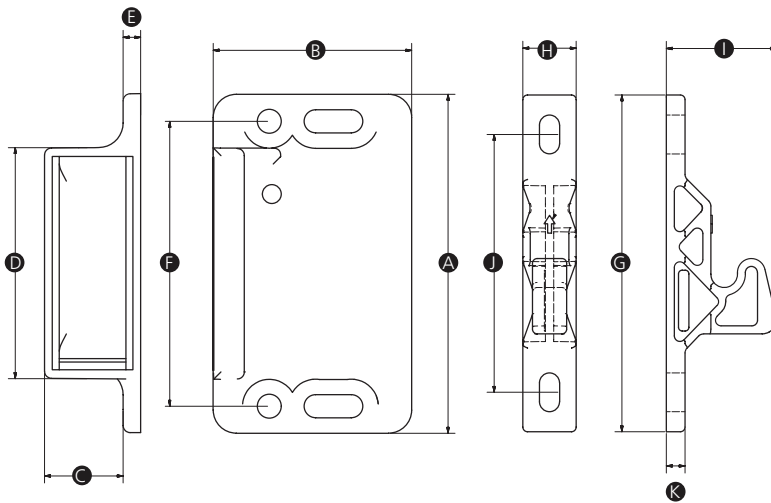
Reinforced nylon

Finish

Black

Mounting

Can be screwed or riveted to door/frame. Mounts inside enclosure.



Part No.	A	B	C	D	E	F	G	H	I	J	K	Bore Size	Pull Force (N)
16055R	48	28	11	33	2.5	40.5	72	11.4	23.5	55	4	3.4, 3.4 x 8.4	13
16050P	48	28	11	33	2.5	40.5	72	11.4	23.5	55	4	3.4, 3.4 x 8.4	22
16056Y	48	28	11	33	2.5	40.5	72	11.4	23.5	55	4	3.4, 3.4 x 8.4	44