

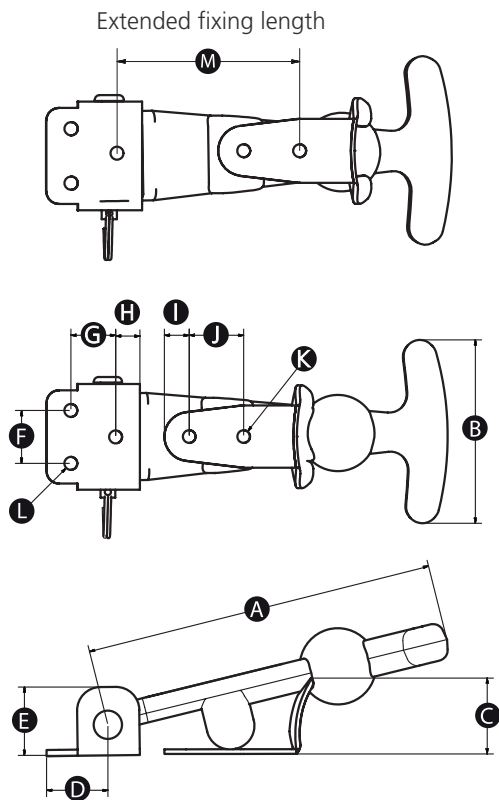
SS

**Material**

Stainless steel catch and hinge. Chloroprene rubber latch.  
Chloroprene has excellent oil, chemical, heat, ozone & weather aging resistance, and low flammability.

**Temperature**

-30°C to 100°C (short periods from -40°C up to 120°C)



Part No.	A	B	C	D	E	F	G	H	I	J	K	L	M
16892R	112	59	24.5	20.2	22	16.5	15	7.5	8	17.5	4.1	4.2	57