

SS

**Description**

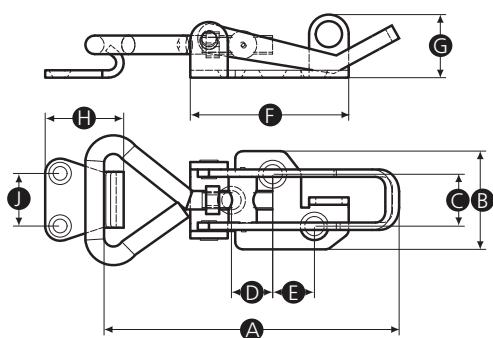
Stainless steel adjustable toggle latch. Complete with catchplate.

**Material**

Stainless steel 304

**Finish**

Polished



Part No.	A	B	C	D	E	F	G	H	I	J	Hole size
15430U	65-79	26.5	16.9	11.1	11.1	42.3	16.3	21.7	-	15.2	6
15940P	110-125	40	20	18	15	53	21	30	-	20	5