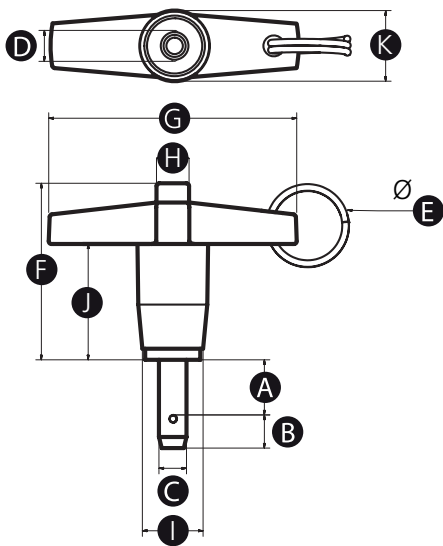


**Material**

Cast aluminium t-handle and stainless steel (SS303) pin

**Fixing**

Designed to be press fit into a hole 0.1mm larger than the diameter of the body



\*See note on double shear force in technical section

Part No.	A	B	C	D	E	F	G	H	I	J	K	Double shear force (kN)
16676X	10	6	5	5.5	15	32	45	6	11	21	13	29
16677T	15	6	5	5.5	15	32	45	6	11	21	13	29
16678P	20	6	5	5.5	15	32	45	6	11	21	13	29
16679W	25	6	5	5.5	15	32	45	6	11	21	13	29
16680S	30	6	5	5.5	15	32	45	6	11	21	13	29
16681Z	20	7	6	7	15	32	45	6	11	21	13	41
16682V	30	7	6	7	15	32	45	6	11	21	13	41
16683R	40	7	6	7	15	32	45	6	11	21	13	41
16684Y	50	7	6	7	15	32	45	6	11	21	13	41
16685U	20	8	8	9.4	15	32	45	6	11	21	13	62
16686Q	30	8	8	9.4	15	32	45	6	11	21	13	62
16687X	40	8	8	9.4	15	32	45	6	11	21	13	62
16688T	50	8	8	9.4	15	32	45	6	11	21	13	62
16689P	20	9	10	11.9	20	37	50.8	7	14	23	15	62

Continued overleaf »

« Continued from overleaf

Part No.	A	B	C	D	E	F	G	H	I	J	K	Double shear force (kN)
16690W	30	9	10	11.9	20	37	50.8	7	14	23	15	88
16691S	40	9	10	11.9	20	37	50.8	7	14	23	15	88
16692Z	50	9	10	11.9	20	37	50.8	7	14	23	15	88
16693V	60	9	10	11.9	20	37	50.8	7	14	23	15	88
16694R	20	10	12	14.5	20	37	50.8	7	14	23	15	142
16695Y	30	10	12	14.5	20	37	50.8	7	14	23	15	142
16696U	40	10	12	14.5	20	37	50.8	7	14	23	15	142
16697Q	50	10	12	14.5	20	37	50.8	7	14	23	15	142
16698X	60	10	12	14.5	20	37	50.8	7	14	23	15	142
16699T	70	10	12	14.5	20	37	50.8	7	14	23	15	142
16700P	80	10	12	14.5	20	37	50.8	7	14	23	15	142
16701W	30	14	16	19	25	45	78	12.7	21	29	23	198
16702S	40	14	16	19	25	45	78	12.7	21	29	23	198
16703Z	50	14	16	19	25	45	78	12.7	21	29	23	198
16704V	60	14	16	19	25	45	78	12.7	21	29	23	198
16705R	70	14	16	19	25	45	78	12.7	21	29	23	198
16706Y	80	14	16	19	25	45	78	12.7	21	29	23	198