

SS HD

Material

Stainless steel 303

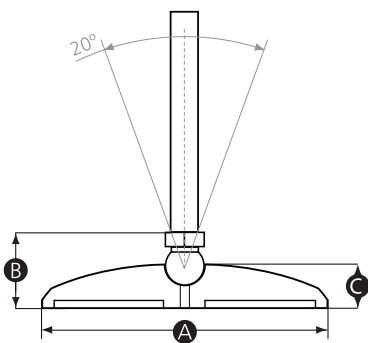
Rod material

Stainless steel 304

Options

Many more base and rod size combinations available on request.

Add a **Model 01 ASP** Anti Slip Plate to provide extra grip and anti-vibration.



Part No.	A	B	C	Thread size	Thread length (mm)	Max load (kg)
15676P	30	29	19	M8	45	350
15675T	30	29	19	M10	45	470
15677W	40	29	19	M8	45	350
15678S	40	29	19	M10	45	470
15679Z	50	29	19	M10	90	470
15680V	50	29	19	M12	150	750
15681R	60	29	19	M12	100	750
15682Y	60	29	19	M12	150	750
15683U	80	29	19	M12	150	750
15684Q	80	29	19	M16	100	1400
15685X	100	29	19	M16	100	1400
15686T	100	29	19	M20	150	2400
15687P	120	32	19	M20	150	2400
15688W	120	32	19	M24	100	3500