

SS

**Description**

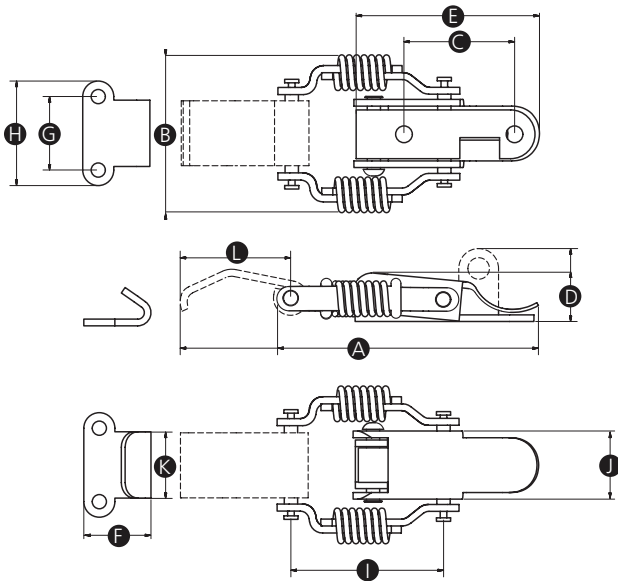
Stainless steel variable sprung toggle latch with or without hole for lock, and with or without extension plate. Complete with catchplate.

**Material**

Stainless steel 304

**Finish**

Natural



Part No.	A	B	C	D	E	F	G	H	I	J	K	L	Base hole Size	Hook hole size	Locking hole size	Max load (N)
16076V	58	36	13	11	42	15	17	24	35	15	15	-	4	3	-	700
16080Q	76	46	14 (x2)	15	62	26	25	37	43	24	21	-	5	5	-	1000
16078Y	58	36	25	17	42	15	17	24	35	15	15	-	4	3	5	700
16081X	76	46	28	22	62	26	25	37	43	24	21	-	5	5	5.5	1000
16077R	79	36	13	11	42	15	17	24	35	15	15	25	4	3	-	450
16079U	79	36	25	17	42	15	17	24	35	15	15	25	4	3	5	450