

Description

Automatic lock with push button opening. Includes 2x keys, catcher and handle pull.

Material

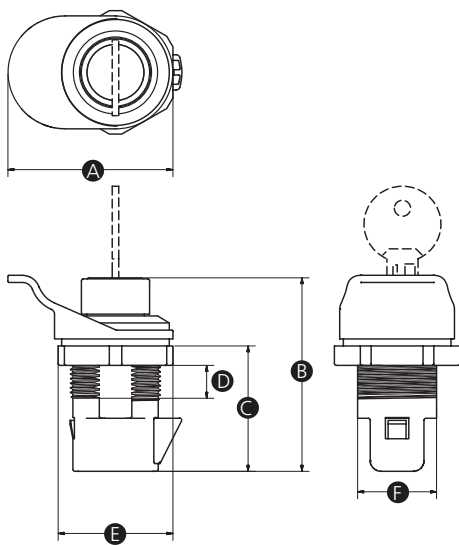
Polycarbonate

Finish

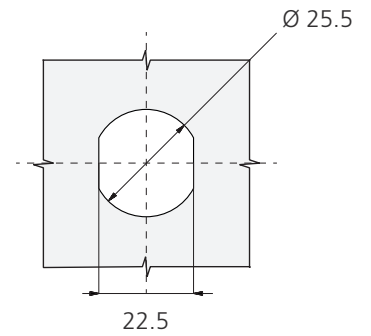
Black

Mounting

Hex shape screw down pressure plate.



Cut out



Part No.	A	B	C	D	E	F	Thread	Locking
15937Q	46	55	36	9	32	22	1"-20 UNF	Yes
16143V	46	55	36	9	32	22	1"-20 UNF	No