

SS

Description

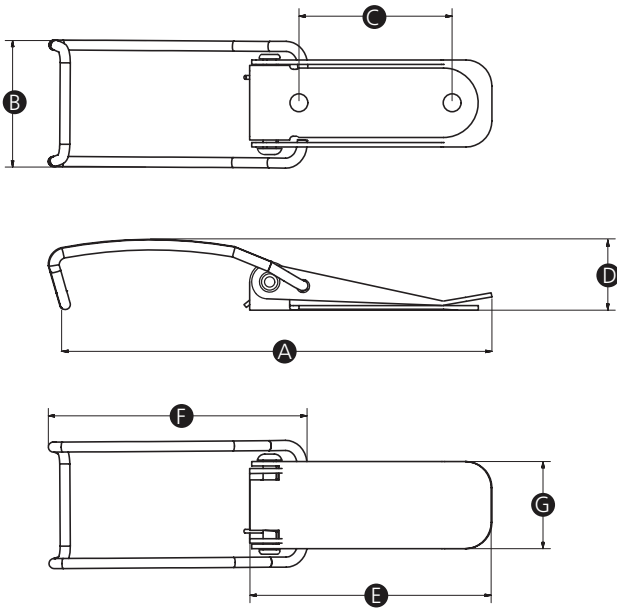
Stainless steel sprung toggle latch.

Material

Stainless steel 304

Finish

Natural



Part No.	A	B	C	D	E	F	G	Base hole size	Max. load (N)
16082T	119	34	41	19	65	69	23	5	500
16083P	103	34	41	16	65	54	23	5	400
16084W	87	21	25	21	45	55	16	4	900
16085S	75	22	25	18	43	38	17	4	1000