



Material

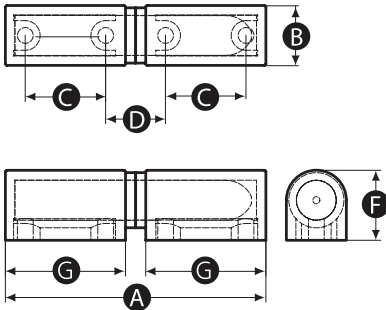
High impact resistant thermoplastic

Finish

Matt

Colour

Black



Part No.	A	B	C	D	E	F	G	Thread size	Min. thread depth
15745Z	83	19	25.5	19	-	22	38	M6	6

Part No.	Radial load (N)	Axial load (N)	Recommended tightening torque (Nm)	Approx. shear force per screw (kN)
15745Z	220	640	2.5	0.5

Mounting options

A Install hinges with matching vertical orientation to enable quick, easy and safe removal of doors without the use of tools.

B Install hinges with opposing vertical orientation to enable doors to be permanently mounted.

