

Description

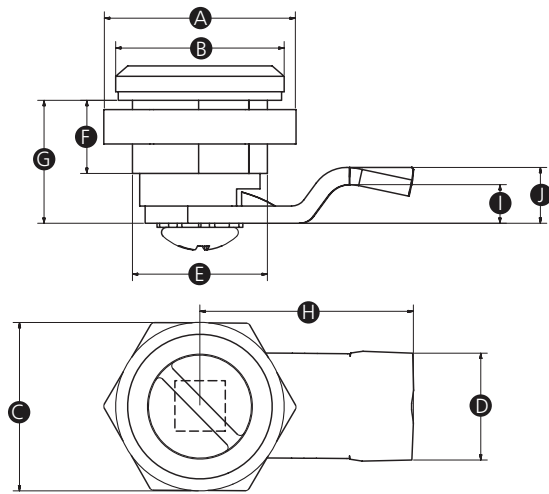
Zinc plated steel 90° cam action lock. Available with square and key or slot.

Material

Diecast zinc

IP rating

IP54: Dust protected / Protected against splashing water



Part No.	A	B	C	D	E	F	G	H	I	J	Thread	Key type
15895T	22	20	20	13	16	9	14	25	4.5	6.6	M16*1mm	With slot
15931S	22	20	20	13	16	9	14	25	4.5	6.6	M16*1mm	With key