

Description

Quarter turn camlock. Available with multiple key and lock combinations and various cam sizes.

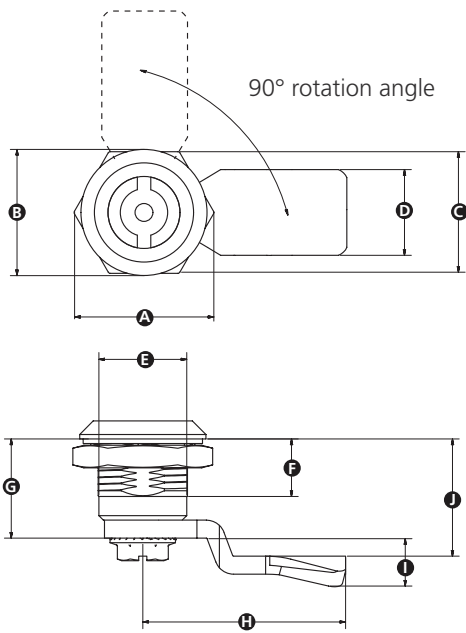
Material

Stainless steel 304 or chrome plated die cast zinc

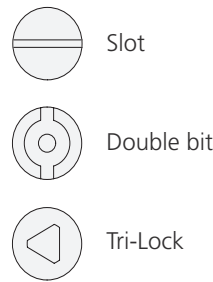
IP rating

IP54: Dust protected / Protected against splashing water

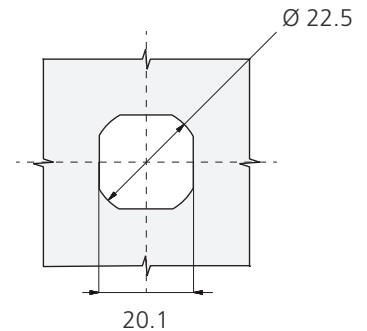
Locks that require either a double bit key or tri-lock key do not come with a key as standard. Our part numbers for the keys are 16260X (double bit key) and 16261T (Tri-lock key).



Key type



Cut out



Part No.	A	B	C	D	E	F	G	H	I	J	Key type	Material
16145Y	31	28	27	19	20	13	22	45	17	32	Slot	Stainless steel
16248Q	31	28	27	19	20	13	22	45	11	26	Double bit	Die cast zinc
16249X	31	28	27	19	20	13	22	45	2	13	Double bit	Stainless steel
16250T	31	28	27	19	20	13	22	45	5	20	Double bit	Stainless steel
16251P	31	28	27	19	20	13	22	45	11	26	Double bit	Stainless steel
16252W	31	28	27	19	20	13	22	45	17	32	Double bit	Stainless steel
16253S	31	28	27	19	20	13	22	45	10	26	Tri-Lock	Die cast zinc
16254Z	31	28	27	19	20	13	22	45	2	13	Tri-Lock	Stainless steel
16255V	31	28	27	19	20	13	22	45	5	20	Tri-Lock	Stainless steel
16256R	31	28	27	19	20	13	22	45	11	26	Tri-Lock	Stainless steel
16257Y	31	28	27	19	20	13	22	45	16	32	Tri-Lock	Stainless steel