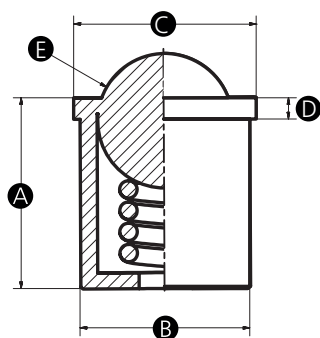


Material

- i) Stainless steel body, stainless steel spring & stainless steel ball
- ii) Acetal body, stainless steel spring & stainless steel ball
- iii) Acetal body, stainless steel spring & acetal ball

Fixing

Designed to be press fit into a hole 0.1mm larger than the diameter of the body



Part No.	A	B	C	D	E	Body material	Ball material	Spring material	Initiating force (N)	Force for full retraction (N)
16885X	3	2	2.5	0.7	1.5	Stainless Steel	Stainless Steel	Stainless Steel	3	6
16617R	4	3	3.5	0.75	2.38	Stainless Steel	Stainless Steel	Stainless Steel	4	9
16618Y	5	4	4.5	0.9	3	Stainless Steel	Stainless Steel	Stainless Steel	3	10
16619U	6	5	5.5	1	4	Stainless Steel	Stainless Steel	Stainless Steel	6	14
16620Q	7	6	6.5	1	5	Stainless Steel	Stainless Steel	Stainless Steel	7	18
16621X	9	8	8.5	1.1	6.4	Stainless Steel	Stainless Steel	Stainless Steel	11	28
16622T	13	10	11	1.7	8.5	Stainless Steel	Stainless Steel	Stainless Steel	16	37
16623P	16	12	13	2.5	10	Stainless Steel	Stainless Steel	Stainless Steel	16	56
16624W	4	3	3.5	0.75	2.38	Acetal	Stainless Steel	Stainless Steel	3	8
16625S	5	4	4.5	0.9	3	Acetal	Stainless Steel	Stainless Steel	5	13
16626Z	6	5	5.5	1	4	Acetal	Stainless Steel	Stainless Steel	6	14
16627V	7	6	6.5	1	5	Acetal	Stainless Steel	Stainless Steel	6	15
16628R	9	8	8.5	1.2	6.4	Acetal	Stainless Steel	Stainless Steel	8	27
16629Y	13	10	11	1.5	8.5	Acetal	Stainless Steel	Stainless Steel	9	22
16630U	4	3	3.5	0.75	2.38	Acetal	Acetal	Stainless Steel	3	7
16631Q	5	4	4.5	0.9	3	Acetal	Acetal	Stainless Steel	5	12
16632X	6	5	5.5	1	4	Acetal	Acetal	Stainless Steel	6	14
16633T	7	6	6.5	1	5	Acetal	Acetal	Stainless Steel	6	15
16634P	9	8	8.5	1.2	6.4	Acetal	Acetal	Stainless Steel	9	27
16635W	13	10	11	1.5	8.5	Acetal	Acetal	Stainless Steel	8	22