

Description

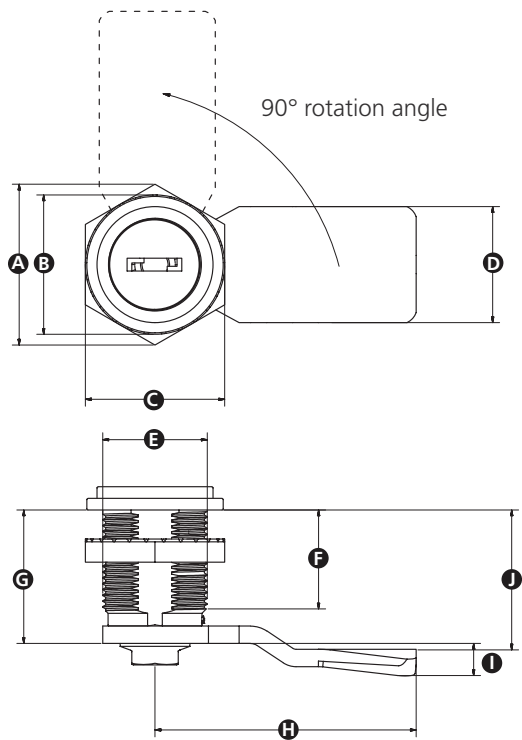
Chrome plated die cast zinc 90 degree RH/LH cam action lock with key

Material

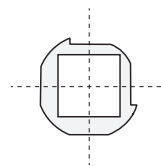
Chrome plated die cast zinc

IP rating

IP54: Dust protected / Protected against splashing water

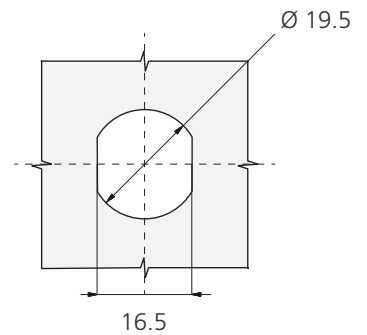


Fitting direction



Integral device allows switching between right and left hand installation

Cut out



Part No.	A	B	C	D	E	F	G	H	I	J	Material
16258U	28	22	24	18	19	18	26	35	-	20	Die cast zinc
16259Q	28	24	24	20	18	17	23	45	5.5	24	Die cast zinc