



**Material**

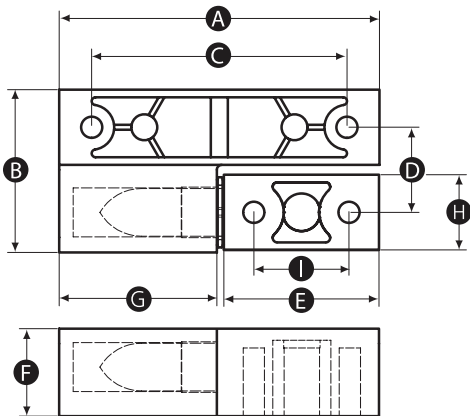
Die cast zinc

**Finish**

Powder coated

**Colour**

Black



Part No.	A	B	C	D	E	F	G	H	I	Thread size	Min. thread depth	Chirality
15767Z	64	32.5	51	17	31	17.5	31.5	15	19	M5	15	Left-Handed
15768V	64	32.5	51	17	31	17.5	31.5	15	19	M5	15	Right-Handed

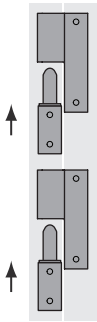
Part No.	Radial load (N)	Axial load (N)	Recommended tightening torque (Nm)	Approx. shear force per screw (kN)
15767Z	400	1130	1.5	0.28
15768V	400	1130	1.5	0.28

Continued overleaf »

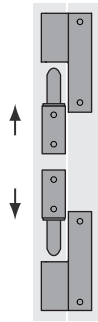
« Continued from overleaf

**Mounting options**

**A** Install hinges with matching vertical orientation to enable quick, easy and safe removal of doors without the use of tools.

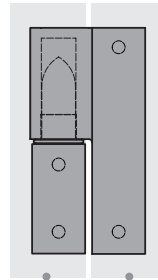


**B** Install hinges with opposing vertical orientation to enable doors to be permanently mounted.



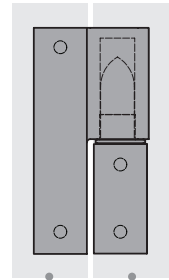
**Chirality**

**Left-Handed**



Frame Door

**Right-Handed**



Door Frame