

Description

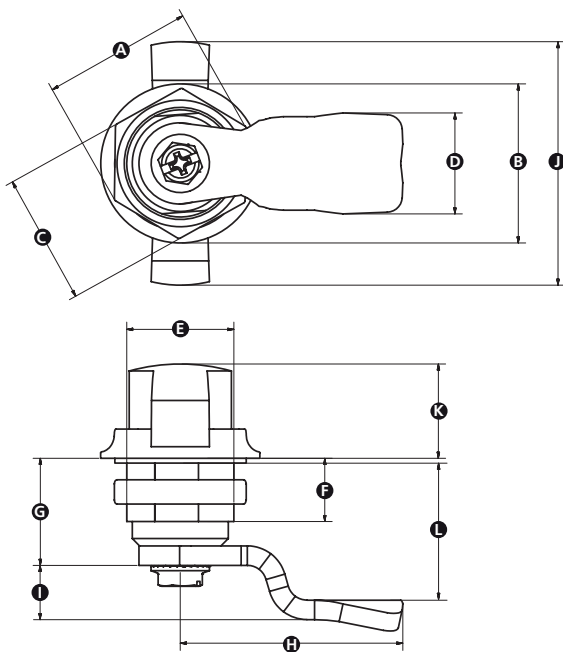
Use in conjunction with a padlock to provide increased security on cabinets and enclosures.

Material

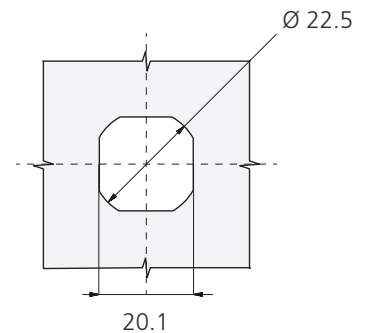
Die cast zinc plated steel lock mechanism and black powder coated die cast zinc knob (16830X & 16829Q) or die cast zinc plated steel lock mechanism and powder coated blue/grey knob (16672R).

IP rating

IP54: Dust protected / Protected against splashing water



Cut out



Part No.	A	B	C	D	E	F	G	H	I	J	K	L
16830X	31	33	27	19	22	13	22	45	11	50	19	28
16672R	31	28	27	19.6	19.8	11.9	33	22.5	9.3	39.2	29.6	27
16829Q	31	33	27	19	22	13	22	45	11	50	19	6