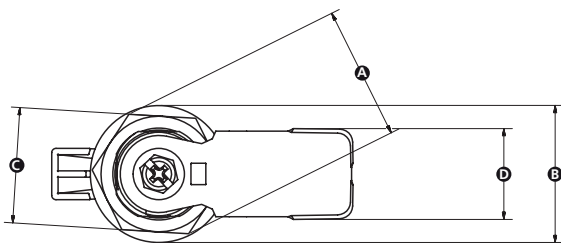


Material

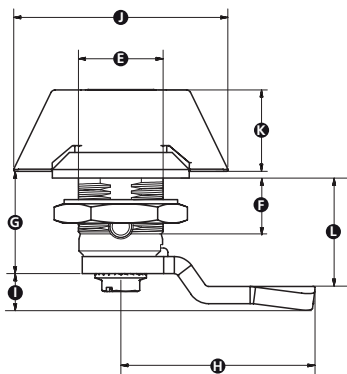
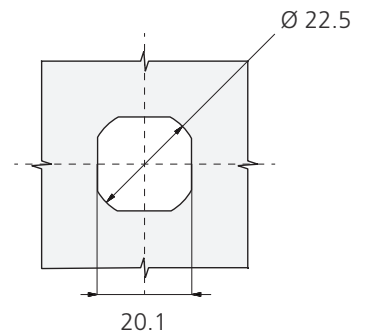
Die cast zinc plated steel lock mechanism and black powder coated die cast zinc knob

IP rating

IP54: Dust protected / Protected against splashing water



Cut out



Part No.	A	B	C	D	E	F	G	H	I	J	K	L	Type
16673Y	32	32	27	19	19.8	14.6	23.9	45	8.4	50	19	28	Key lock
16674U	32	32	27	19	19.8	14.6	23.9	45	8.4	50	19	28	No lock