



Material

High impact resistant thermoplastic

Finish

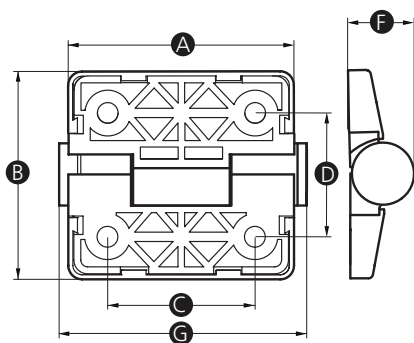
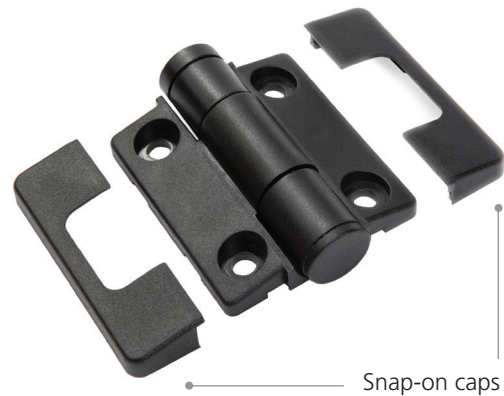
Matt

Colour

Black

Function

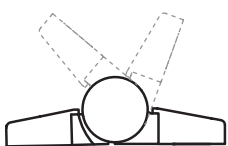
Multiple detents allow doors to be held at three predetermined angles. Secure, snap-on caps fully conceal mounting screws.



Part No.	A	B	C	D	E	F	G	Hole size	Detent	Detent angle
15792Y	49	45	32	27	-	14	54	4.5	None	-
15933V	49	45	32	27	-	14	54	4.5	Triple	0, 120, 170

Part No.	Hinge positioning torque (Nm)	Screw	Radial load (N)	Axial load (N)	Recommended tightening torque (Nm)	Approx. shear force per screw (kN)
15792Y	-	M4	150	150	0.75	0.12
15933V	0.8	M4	150	150	0.75	0.12

Detent angle



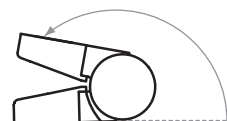
No detent / Free swinging



0°



120°



170°