

**Material**

Zinc alloy or Alu 6061

**Opening angle**

90 degrees

**Installation**

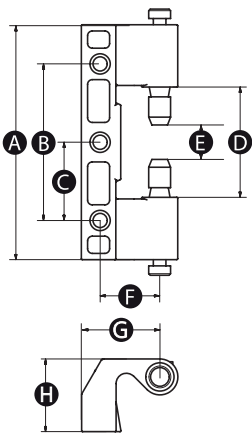
Available with two types of mating hinge leaves (see diagram below). 16894U is designed to be welded while 16895Q is fixed with bolts or rivets.

**Function**

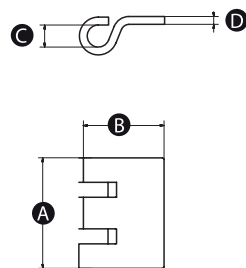
Twin retractable pins are held in place with springs. The retractable pins allow the door to be separated from the frame giving improved access.



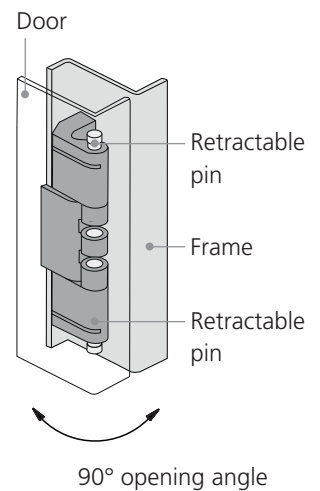
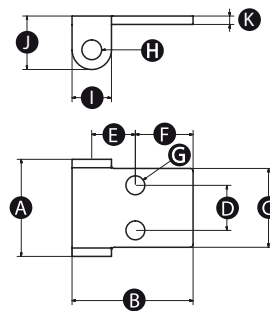
16868Z and 16870R



16894U



16895Q



Part No.	A	B	C	D	E	F	G	H	I	J	K	Material
16868Z	75	50	25	35	11	19	25	23	-	-	-	Zinc Alloy
16870R	75	50	25	35	11	19	25	23	-	-	-	Alu 6061
16894U	35	27	7	2.5	-	-	-	-	-	-	-	Zinc plated steel
16895Q	34.5	43	28	16	15.5	20.5	6.7	7	14	19	3	Zinc plated steel

Part No.	Radial load (N)	Axial load (N)
16868Z	500	1500
16870R	500	1500