

**Material**

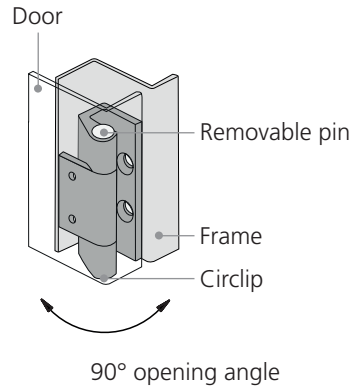
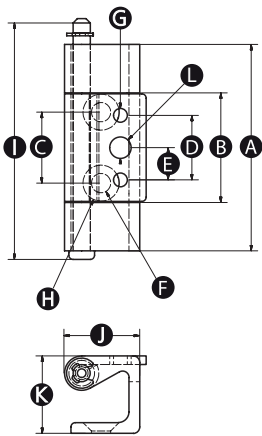
Chrome plated die cast zinc hinge, zinc plated steel mating part and nickel plated steel pin or polished stainless steel 316 hinge, mating part and pin.

**Opening angle**

90 degrees

**Function**

A removable pin allows the door to be separated from the enclosure giving improved access. The pin is secured with a circlip.



Part No.	A	B	C	D	E	F	G	H	I	J	K	L	Material
16871Y	48	25	16.5	15	-	4.5	3.2	7.5	53.5	17.5	18	-	Zinc
16872U	48	25	16.5	15	7.5	4.5	3.2	8.4	56	17.5	18	5	SS 316

Part No.	Radial load (N)	Axial load (N)
16871Y	228	290
16872U	750	365