

**Material**

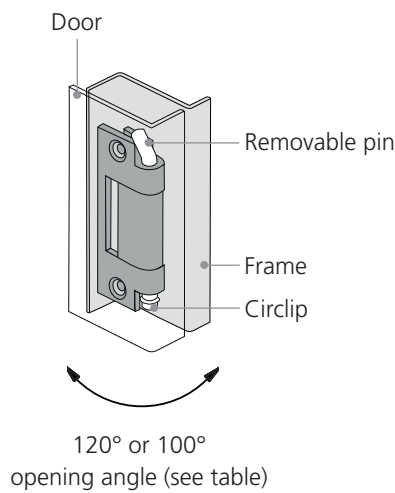
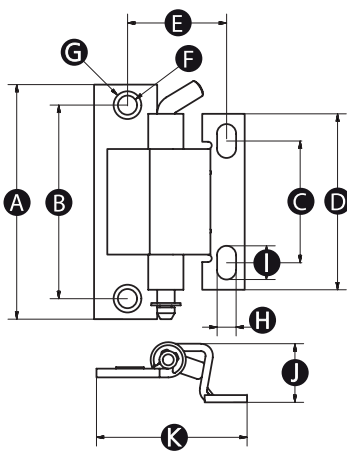
Zinc plated steel hinge, pin and circlip, stainless steel 304 hinge, pin and circlip, or zinc plated steel hinge and white nylon pin (16881R has no circlip).

**Installation**

Mounting to enclosure frame is either via metric bolts or rivets. Zinc plated steel and stainless steel pins include circlips while the nylon pin has an integrated locking mechanism.

**Function**

A removable pin allows the door to be separated from the enclosure giving improved access.



Part No.	A	B	C	D	E	F	G	H	I	J	K	Material	Pin material	Opening angle
16873Q	80	66	42	-	36.5	6.5	9.5	6.5	12	20	54.3	ZPS	ZPS	120°
16874X	80	66	42	-	36.5	6.5	9.5	6.5	12	20	54.3	SS304	SS304	120°
16875T	80	66	42	60	-	6.5	9.5	6.5	12	24.5	-	ZPS	ZPS	120°
16876P	80	66	42	60	-	6.5	9.5	6.5	12	24.5	-	SS304	SS304	120°
16877W	60	-	-	60	-	-	-	6.5	12	19.5	35	ZPS	ZPS	120°
16878S	60	-	-	60	-	-	-	6.5	12	19.5	35	SS304	SS304	120°
16879Z	60	-	42	60	-	-	-	6.5	12	24.5	42	ZPS	ZPS	120°
16880V	60	-	42	60	-	-	-	6.5	12	24.5	42	SS304	SS304	120°
16881R	60	48	42	60	-	6.5	-	6.5	12	21	40	ZPS	Nylon	100°

<b>Part No.</b>	<b>Radial load (N)</b>	<b>Axial load (N)</b>
16873Q	310	480
16874X	310	480
16875T	310	480
16876P	310	480
16877W	350	778
16878S	350	778
16879Z	350	778
16880V	350	778
16881R	420	410