

Material

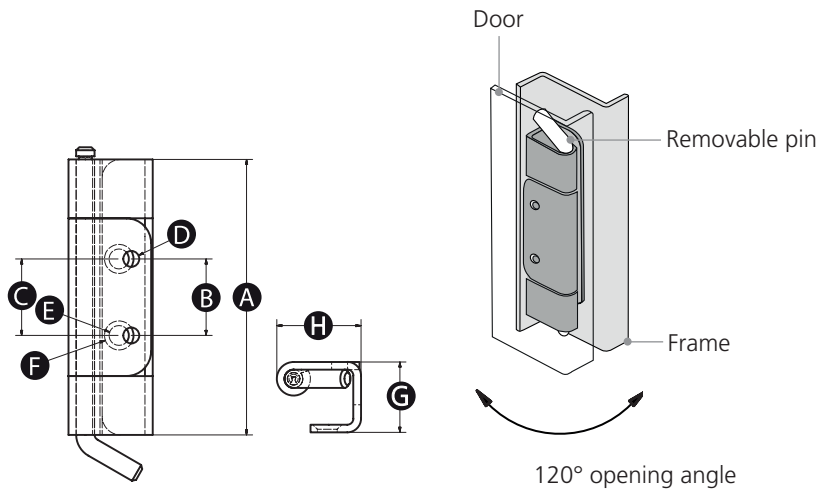
304 stainless steel hinge, mating part pin and circlip.

Installation

Mounting to enclosure frame is either via metric bolts or rivets.

Function

A removable pin allows the door to be separated from the enclosure giving improved access. The pin is secured with a circlip.



Part No.	A	B	C	D	E	F	G	H
16882Y	90	25	25	5.2	6.5	9.5	23	27.5
16883U	90	25	25	5.2	5.2	-	23	33.5
16884Q	90	25	25	5.2	5.2	-	19	24

Part No.	Radial load (N)	Axial load (N)
16882Y	500	980
16883U	500	980
16884Q	500	980