

**Fixing type**

Quick fit, one piece, snap-in flush fitting

**Material**

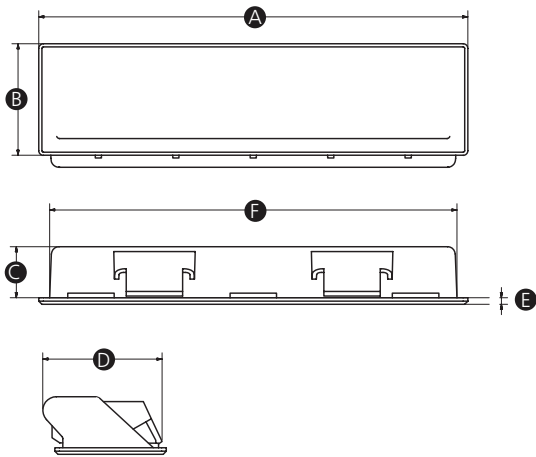
ABS

**Finish**

Textured matt

**Colour**

Black



Part No.	A	B	C	D	E	F	Panel thickness
16052S	93	36	16.5	38.2	2	87	1.0 -1.4
16053Z	93	36	16.5	38.2	2	87	1.4 -1.8
16054V	139	36	16.5	38.5	2	132	1.0 -1.4
16051W	139	36	16.5	38.5	2	132	1.4 -1.8