

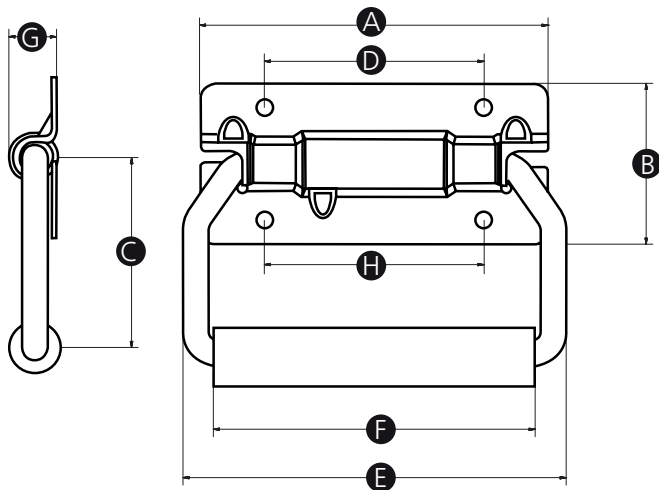
SS

Material

304 stainless steel and polypropylene or rubber handle

Colour

Stainless and black



Part No.	A	B	C	D	E	F	G	H	Hole size	Handle material
16932W	102	41.5	43.5	75	94.5	67	12.5	50	5	Polypropylene
16933S	108	50	59	68	119	100	14.5	68	5.2	Rubber